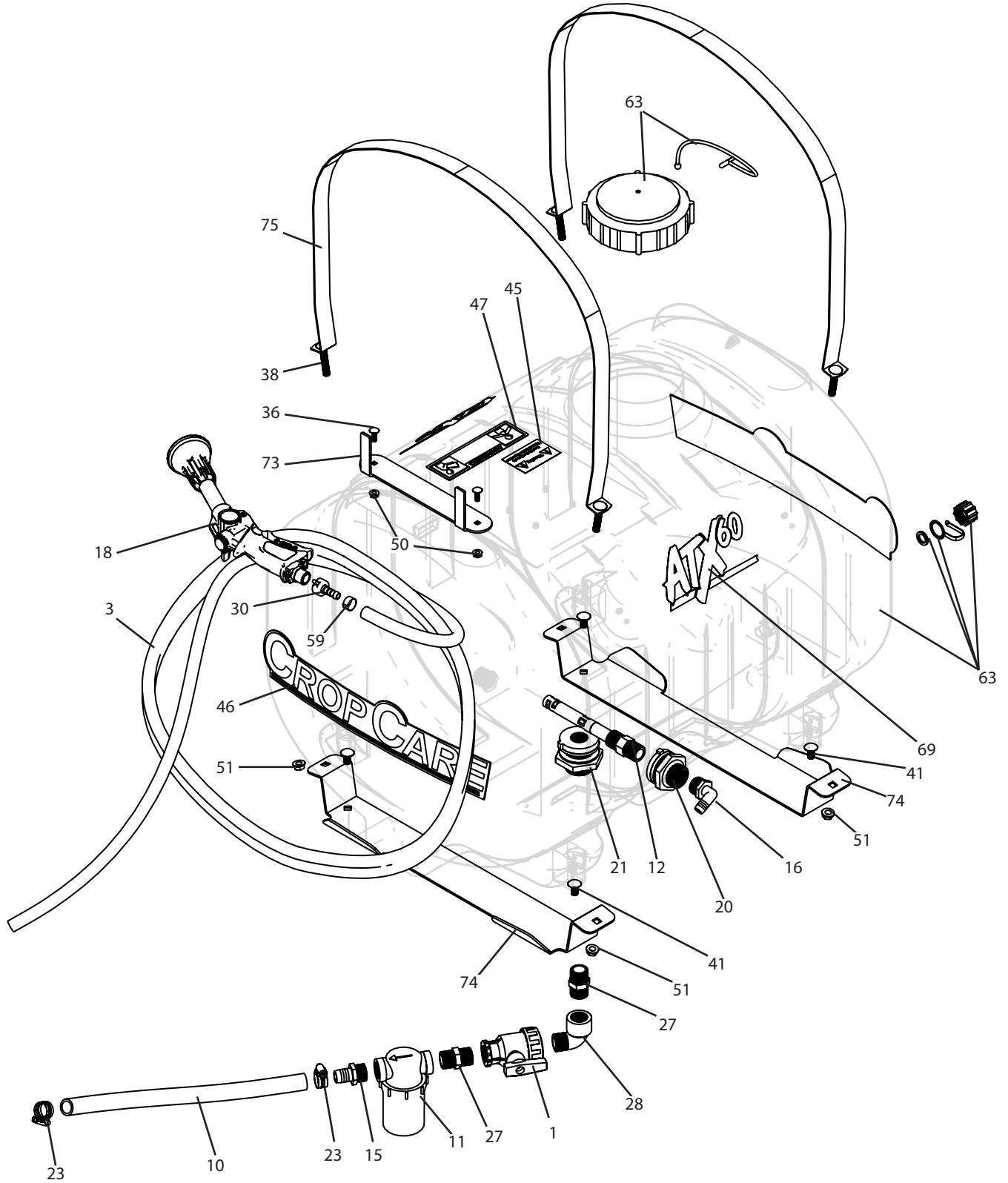
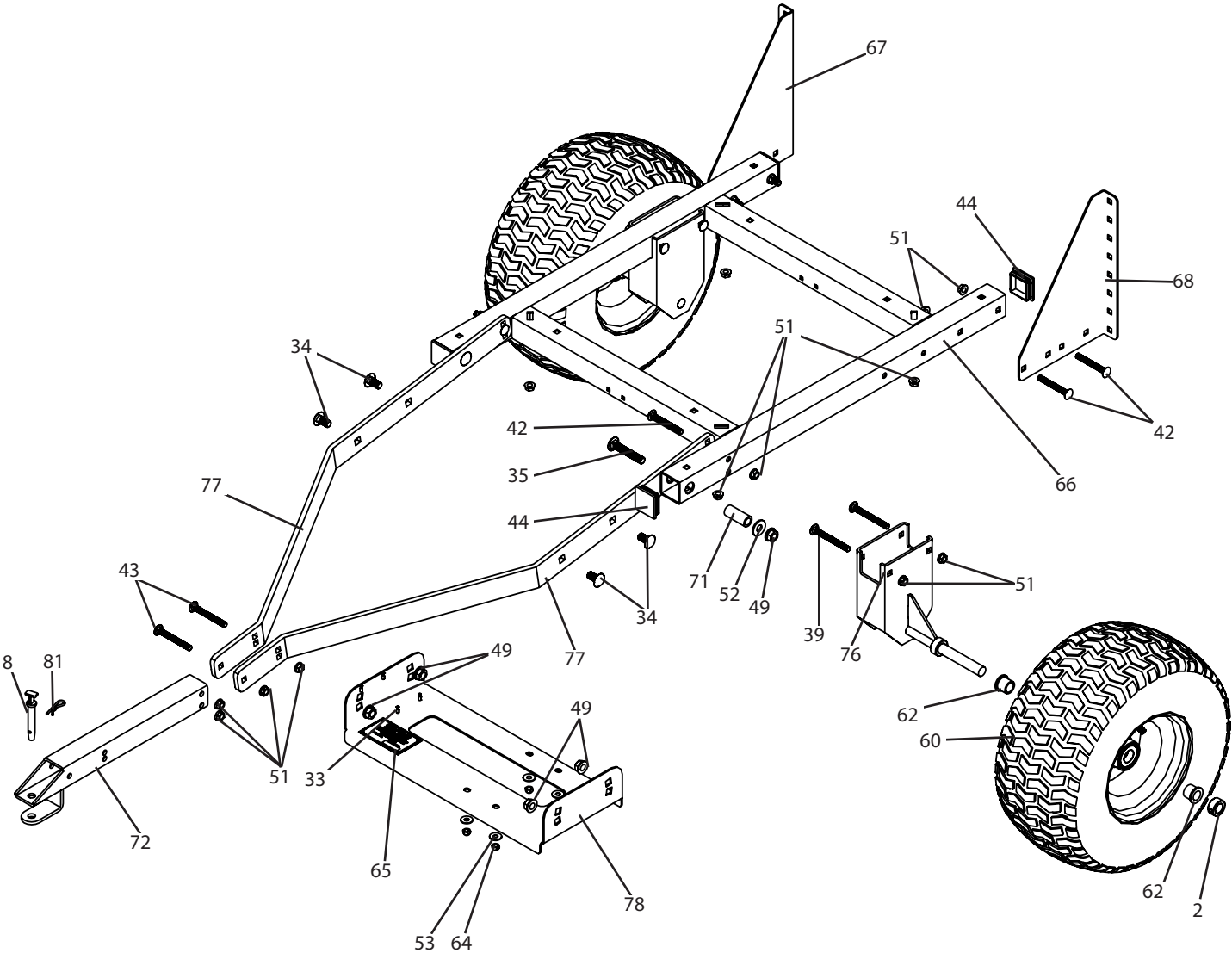


## ATX60-TR-G Breakdown

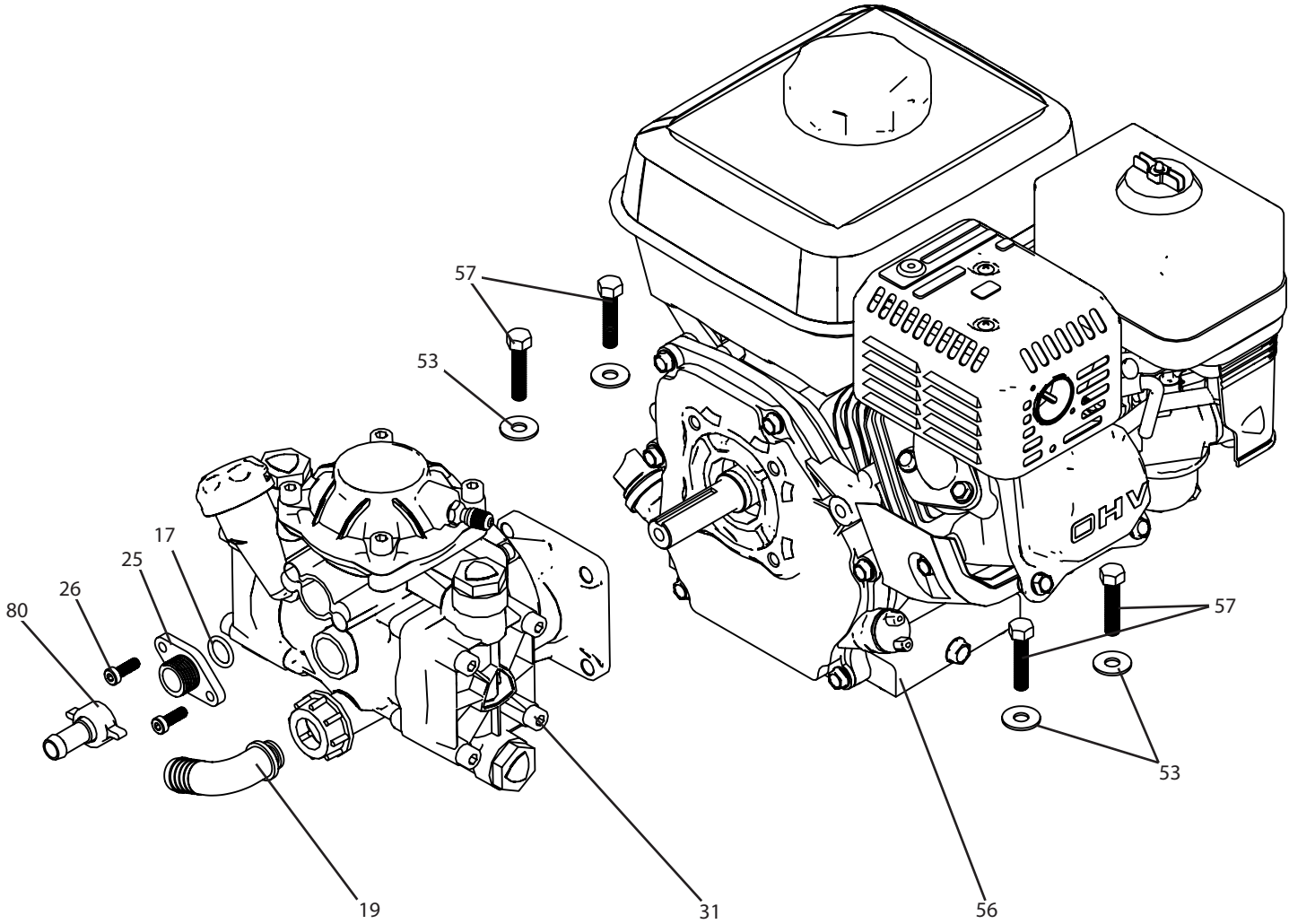
Sprayer, 60 gallons, trailer, 2 Diaphragm pump, gas-powered, 290 PSI pump



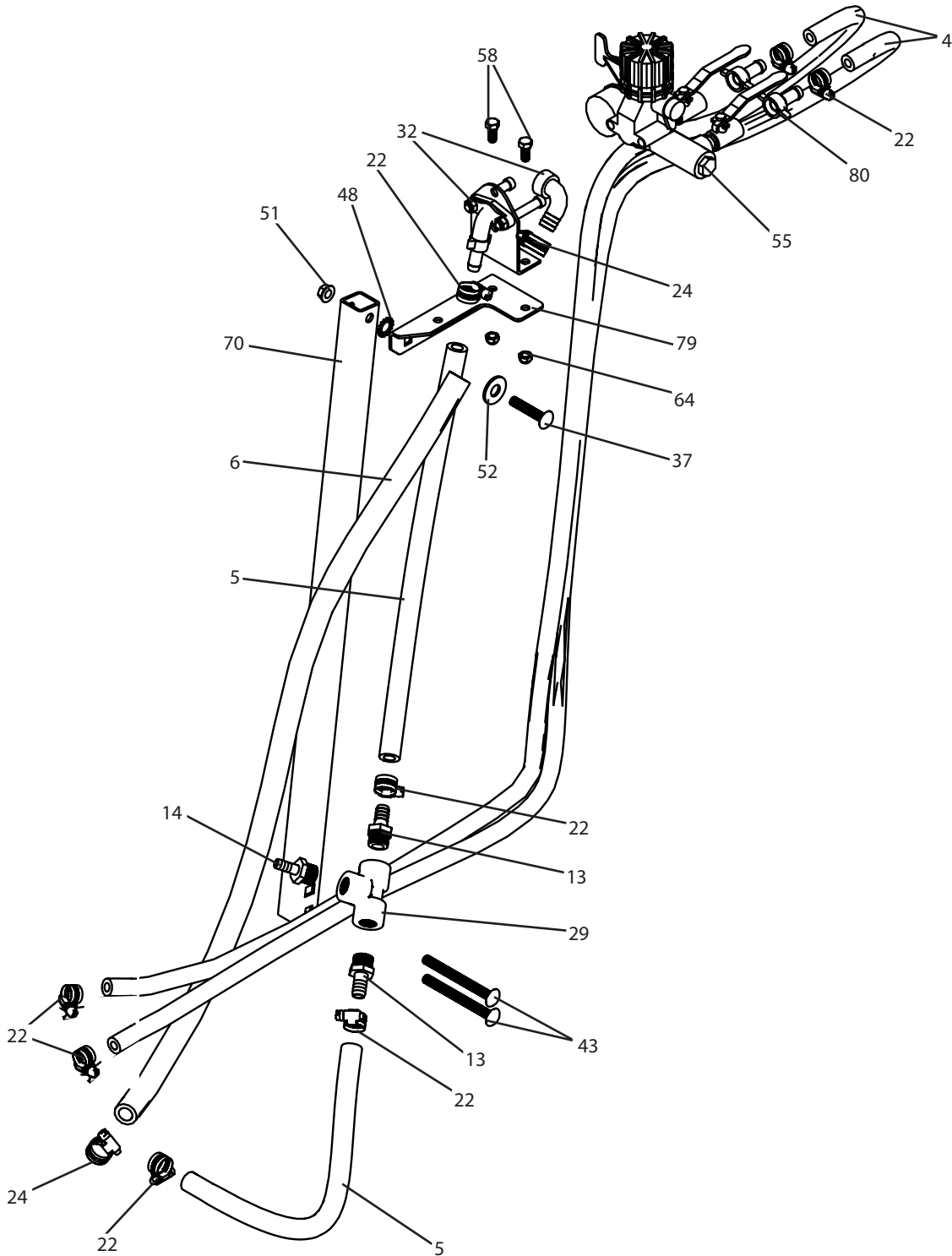
## ATX60-TR-G Breakdown



## ATX60-TR-G Breakdown



## ATX60-TR-G Breakdown



## ATX60-TR-G Breakdown

Ref#	Qty.	Part Number	Description
1	1	075SUBV	Valve, Ball Union 3/4" FPT
2	2	0750P	Shaft Collar, 3/4"
3	15 FT	1006	Hose, EPDM Rubber 3/8" 300 PSI
4	22 FT	1008	Hose, EPDM Rubber 3/8" 300 PSI
5	3.5 FT	1008	Hose, EPDM Rubber 1/2" 300 PSI
6	6.25 FT	1010	Hose, EPDM Rubber 5/8" 300 PSI
8	1	18812	Pin, Hitch T-Handle 1/2" x 2-1/4"
10	1.5 FT	3003	Hose, Suction 3/4" Clear PVC 100 PSI
11	1	33500034A *	Strainer, Line Poly 3/4" FPT 50 mesh screen, EPDM gasket
12	1	33710019	Agitator, Jet
13	2	3A1212	Adapter, Hose 1/2" MPT x 1/2" HB
14	1	3A1238	Adapter, Hose 1/2" MPT x 3/8" HB
15	1	3A3434	Fitting, Hose 3/4" MPT x 3/4" HB
16	1	3EL3458	Adapter, Hose 90° 3/4" MPT x 5/8" HB
17	1	480440	O-ring, Ø 17.13x2.62
18	1	5106006 *	Spray Gun, 700 PSI
19	1	550460	Elbow, Ø 18
20	1	60401	Fitting, Tank 3/4" FPT DBL Tap (Requires a 1-7/16" Hole)
21	1	62798	Fitting, Tank 3/4" FPT Dbl Tap (Requires 1-5/8" Hole)
22	9	6806052	Hose Clamp, 1/2" - 29/32" SS
23	2	6810052	Hose Clamp, 1/2" - 1-1/16" SS
24	2	6810052	Hose Clamp, 1/2" - 1-1/16" SS
25	1	800692	Flange, 1/2" BSPT
26	2	880280	Screw TCEI M6x18
27	2	8M34	Nipple, 3/4" MPT x Close Sch 80 Poly
28	1	8SE34	Elbow, Street 90° 3/4" NPT Sch 80 Poly
29	1	8TT12	Tee, 1/2" FPT Sch 80 Poly
30	1	9910110131	Adapter, 3/8" HB x 1/2" BSP Wing Nut Assy
31	1	AR252GRGCI34 *	Diaphragm pump, 2 diaphragm, 290 PSI, with gear reduction and control
32	1	AR893S *	S Remote mounting kit for GR40
33	4	BTT44	Rivet, Pop 1/8" Dia. x .188" x .250" Grip SS
34	4	CB12*1G5	Bolt, Carriage 1/2-13 x 1" Gr 5
35	2	CB12*3G5	Bolt, Carriage 1/2-13 x 3" Gr 5
36	2	CB14*34	Bolt, Carriage 1/4-20 x 3/4" Gr 2
37	1	CB38*2G5	Bolt, Carriage 3/8-16 x 2" Gr 5
38	4	CB38*2G5	Bolt, Carriage 3/8-16 x 2" Gr 5
39	4	CB38*312G5	Bolt, Carriage 3/8-16 x 3-1/2" Gr 5
40	2	CB38*314G5	Bolt, Carriage 3/8-16 x 3-1/4" Gr 5
41	4	CB38*34G5	Bolt, Carriage 3/8-16 x 3/4" Gr 5
42	6	CB38*3G5	Bolt, Carriage 3/8-16 x 3" Gr 5
43	2	CB38*4G5	Bolt, Carriage 3/8-16 x 4" Gr 5
44	4	CC5515	Plug, Poly Square 2" x 10-14 Ga Black
45	1	DE39	Decal, "Warning Read Owner's Manual
46	2	DE47	Decal, CropCare Logo 3.75" x 19.25"

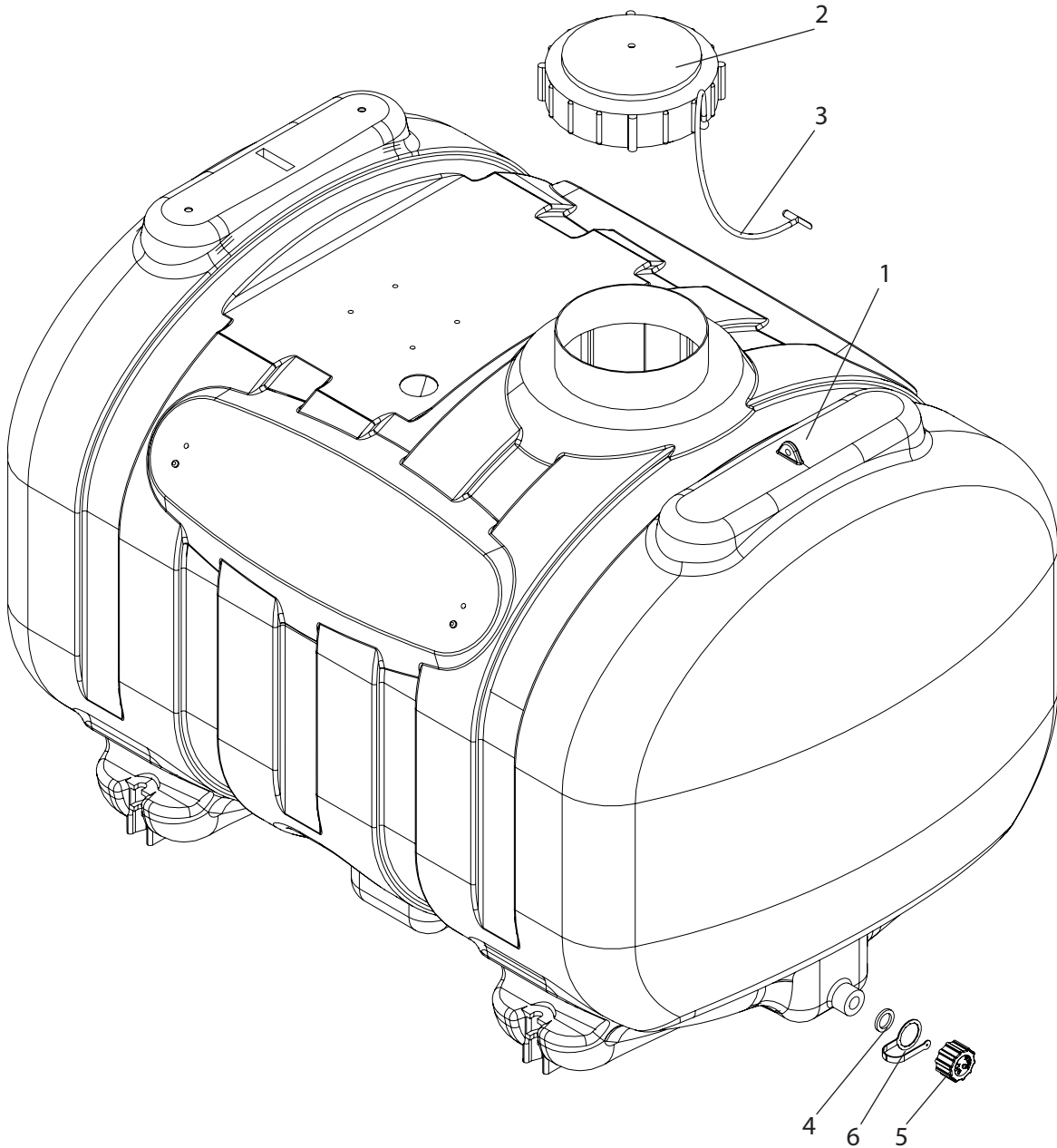
## ATX60-TR-G Breakdown

Ref#	Qty.	Part Number	Description
47	1	DEMT3980	Decal, "Warning Avoid Injury Follow Labels"
48	1	EW12	Washer, Lock External-Tooth 1/2"
49	6	FN12	Nut, Flange 1/2-13
50	2	FN14	Nut, Flange 1/4-20
51	23	FN38	Nut, Flange 3/8-16
52	3	FW12	Washer, Flat 1/2" USS
53	8	FW516	Washer, Flat 5/16"
55	1	GR20S *	Control unit
56	1	GX160UT2QX2	Honda GX160-QX2 Engine, 3/4" Shaft, Pull Start, 4.8HP
57	4	H5C516*112	Bolt, Hex 5/16-18 x 1-1/2" Gr 5
58	2	H5C516*34	Bolt, Hex 5/16-18 x 3/4" Gr 5
59	1	6806052	Hose Clamp, 1/2" - 29/32" SS
60	2	KT022	Wheel 18X850-8, 4Ply Turf Rider, 20mm Bearing
62	4	FB12166 +	Bushing, 3/4ID 1"OD 3/4 Flanged
63	1	SB00060SY *	Tank, (no holes or decals) 60 Gal. w/Lid Lanyard Outlet Cap Gasket and Tether.
64	6	SNC516	Nut, Lock Steel 5/16-18
65	1	SP500	Plate, Serial Number, CropCare
66	1	T701	Frame, Main
67	1	T702	Boom Mounting Angle, Side A
68	1	T703	Boom Mounting Angle, Side B
69	2	T707	Decal, ATX 60 Gal
70	1	T714	Control mounting post
71	2	T716	Bushing, Bolt
72	1	T718	Hitch tube
73	1	T719	Hose holder, tank mounted, top
74	2	T722	Bracket, Mounting 40 & 60 Gallon Tanks
75	2	T724	Tank strap, 60 gallon DenHartog
76	2	T731	Trailer axle bracket
77	2	T745	Trailer Arm
78	1	T746	Engine Mount
79	1	T747B	Control Mount, GR20S and GR40
80	3	9910110130	Adapter, 1/2" HB x 1/2" BSP Wing Nut Assy
81	1	CP11516	Clip Pin .125" x 1-15/16" 7/16"E

\* See support page for component parts breakdowns.

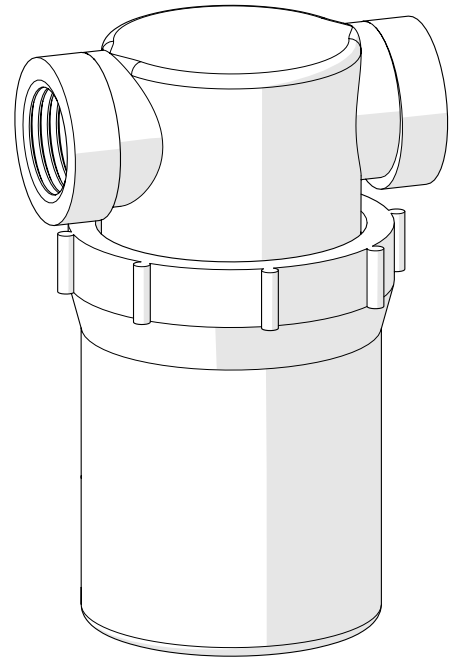
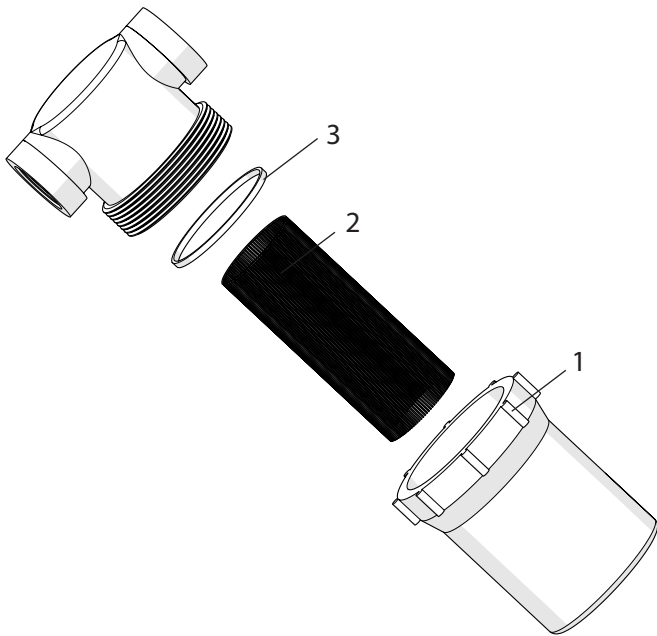
+ Only on some units.

## SB00060SY Breakdown



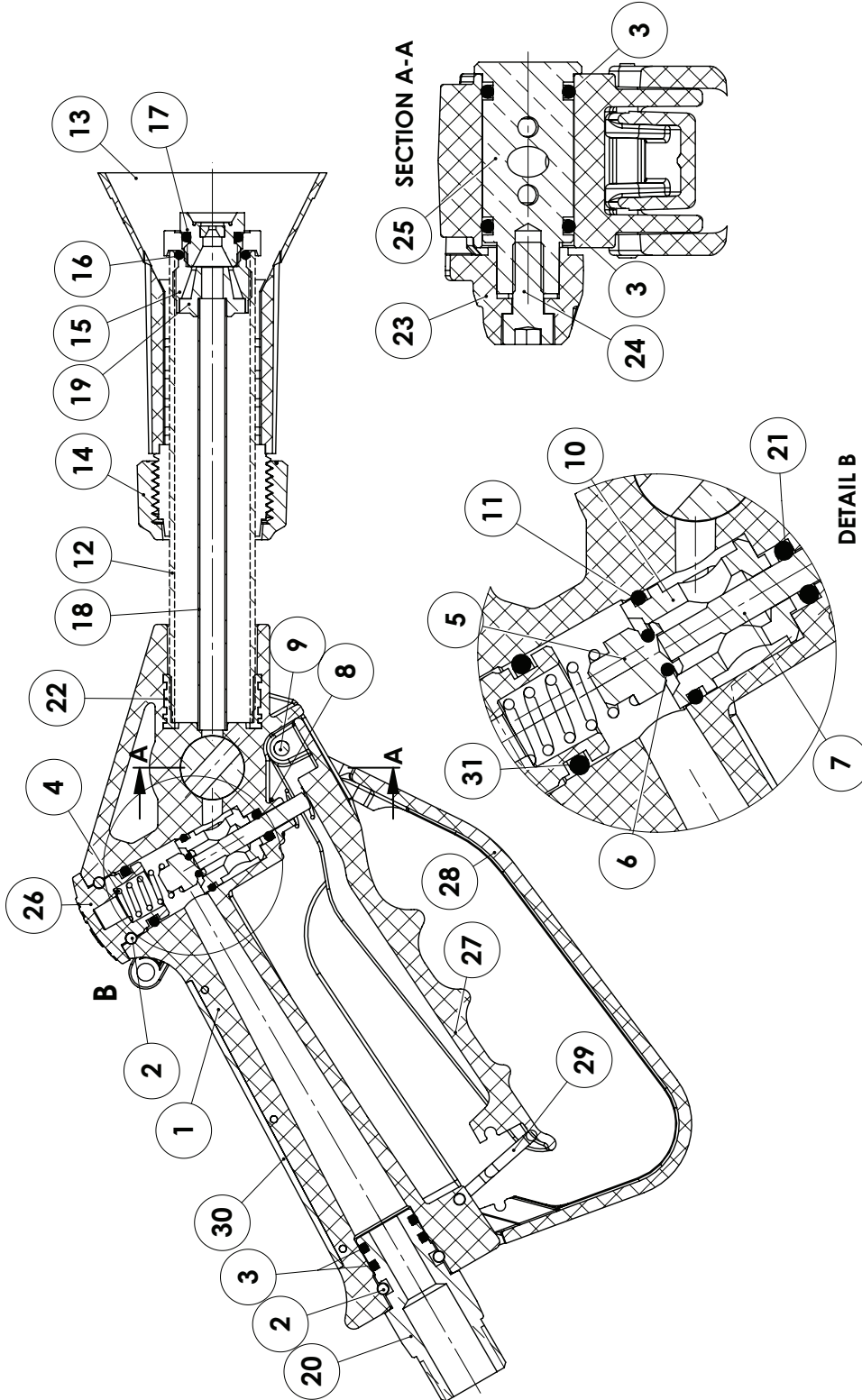
Ref#	Qty.	Part Number	Description
1	1	-----	Tank, 60 Gal Blow Molded w/Lid Lanyard Outlet Cap Gasket and Tether
2	1	10035	Lid, Tank 5" w/ out Lanyard
3	1	10873	Lanyard, 12"
4	1	10960	Gasket, Tank Outlet Cap for Den Hartog Applicator Tank
5	1	19024	Cap, Tank Outlet for Den Hartog Applicator Tank
6	1	19025	Tether, Cap Tank Outlet for Den Hartog Applicator Tank

## 33500034A Breakdown



Ref #	Qty.	Part Number	Description
1	1	33510039	Strainer Bowl Hypro
2	1	38000025	Strainer, Screen 50 Mesh
		38000026	Strainer Screen 80 mesh Hypro
3	1	17000091	Gasket, Strainer 3350 1/2" & 3/4" EPDM

## 5106006 Breakdown

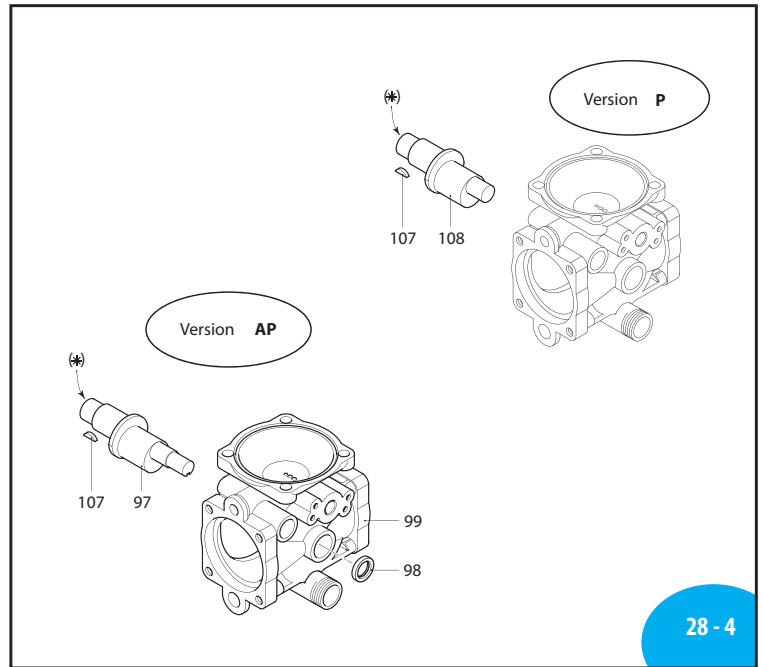
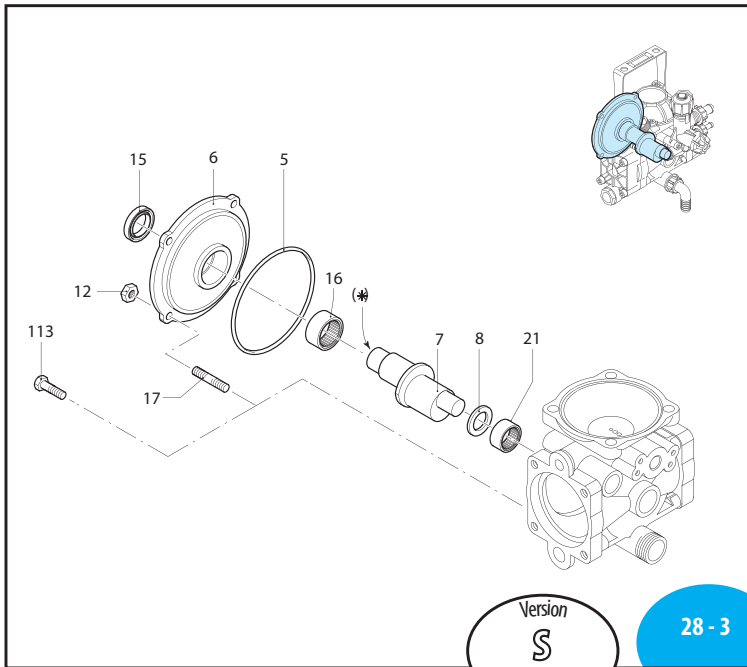
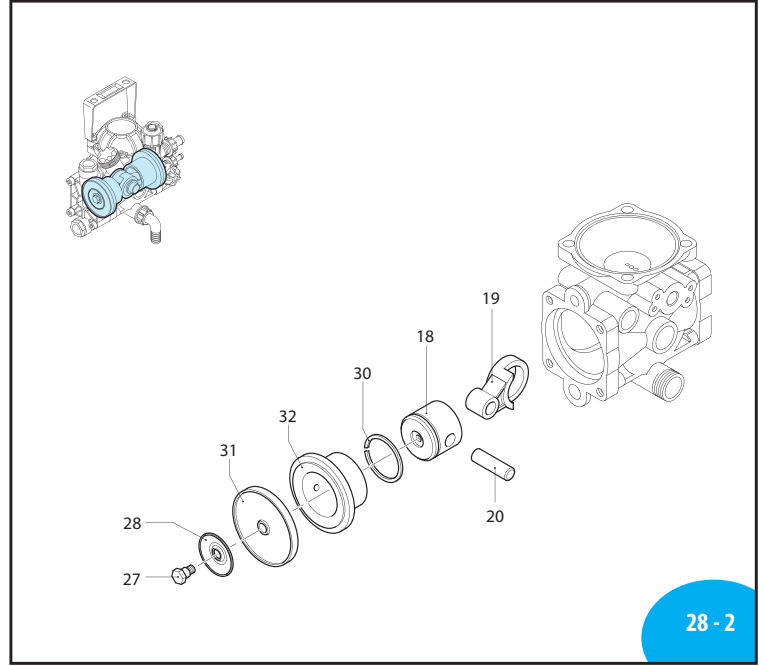
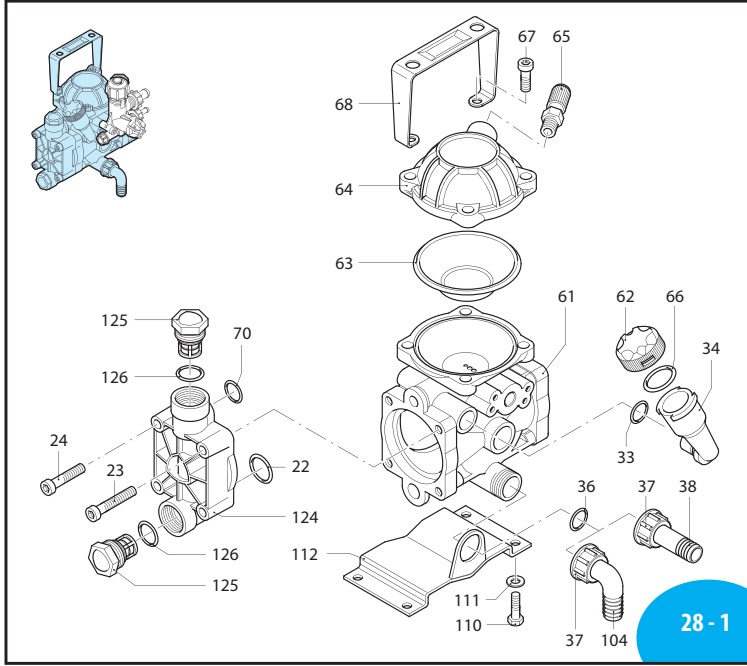


## 5106006 Breakdown

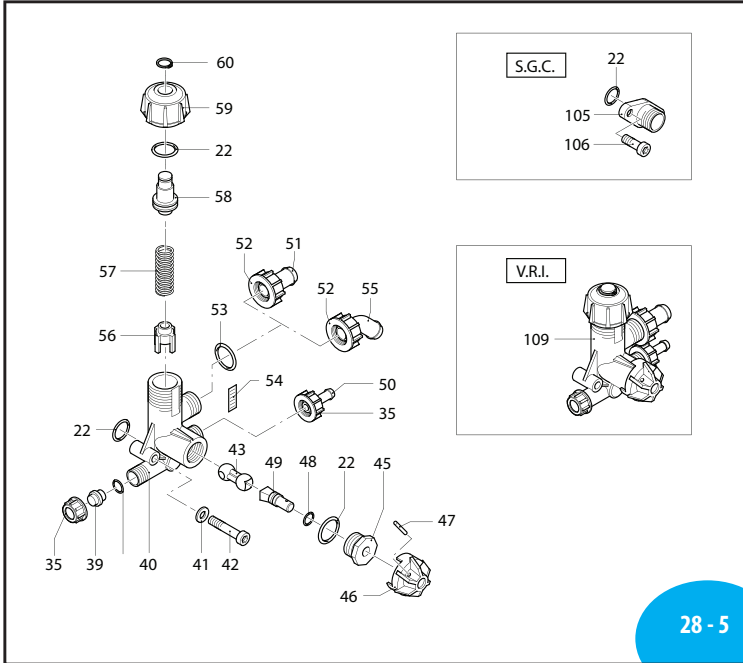
Ref#	Qty.	Part Number	Description
1	1		Spray Gun Body
2	2		Closing Clips
3	4	OR13-5X2-5V	Seal Ring 13.5 x 2.5 VITON
4	1		Piston Spring
5	1	5106012PP	Piston Head
6	1	OR4-48X1-78V	Seal-ring 4.48 x 1.78 VITON
7	1	5106012A	Piston
8	1		Lever Spring
9	1		Fixing Pin
10	1	5106012CS	Piston Cage
11	1	OR12X2V	Seal Ring 12 x 2 VITON
12	1		Pipe H132
13	1		Diffuser
14	1		Diffuser Ring Nut, 1" BSP
15	1		Fitting M22x1.5/m15x1
16	1	OR16X2-5V	Seal-ring 16 x 2.5 VITON
17	1	5601006	Nozzle Head 2 diameter
18	1		Pipe 8x0.5
19	1		Helix Fitting
20	1	5106012AT	Swivel Connection
21	1	OR4-42X2-62V	Seal-ring 4.42 x2.62 VITON
22	1		Body Insert G3/8"
23	1	5106012S	Jet Selector Lever
24	1	VM614	Screw M6x14 DIN912 8.8
25	1		Selector Kingpin
26	1		Body Cap w/ Logo
27	1	5106012L	Gun Lever
28	1		Lever Protection
29	1		Lock-Unlock Clip
30	1		Handle Insert
31	1	OR13-6X2-7V	Seal-ring 13.6x2.7 VITON

## AR252GRGCI34 Breakdown

Diaphragm pump, 2 diaphragm, 290 PSI, with gear reduction and control



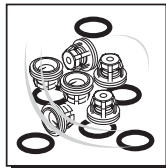
## AR252GRGCI34 Breakdown



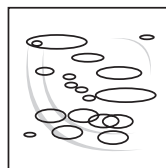
28 - 5



AR 43279 Desmopan diaphragms	
Pos.	Qty
22	2
31	2
63	1
70	2
126	4



AR 2408 Valves	
Pos.	Qty
125	4
126	4

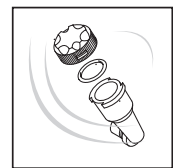


AR 2409 O-Rings			
Pos.	Qty	Pos.	Qty
5	1	135	1
22	5	145	1
33	4		
36	1		
48	2		
53	1		
66	1		
70	2		
126	4		
133	1		



Suggested Oil	
Type	Oz
AR64516	16

Crankcase Oil  
Capacity 13 oz



AR 1797 Sight Glass	
Pos.	Qty
34	1
62	1
66	1

## AR252GRGCI34 Breakdown

Pos	Code	Discription	Qty	Note
5	800380	O-ring Ø 97x1.6	1	
6		Flange	1	
7		Shaft marked C	1	AR 252
8		Spacer	1	
12		Nut M6	4	
15	800200	Ring seal	1	
16		Bushing	1	
17		Stud	4	
18	802070	Piston Ø 42	2	T180*
19	800140	Connecting-rod	2	
20	800130	Pin	2	
21		Bushing	1	
22	9910480440	O-ring Ø 17.13x2.62	5	
23		Screw TCEI M8x50	1	T180*
24		Screw TCEI M8x45	7	T180*
27	800090	Hub pin	2	
		Hub pin	2	For Viton T180*
28	800350	Wobble plate	2	
30	802080	Piston ring	2	
31		Diaphragm	2	NBR
		Diaphragm	2	Viton
	800085	Diaphragm	2	Desmopan
		Diaphragm	2	HPDS
		Diaphragm	2	BlueFlex™
32	802050	Sleeve	2	AR 252
		Sleeve	2	AR 252 (Viton)
33	740290	O-ring Ø 14x1.78	4	
34		Tank	1	
35		Ring nut	1	
36	390180	O-ring Ø 18.72x2.62	1	
37	550450	Ring nut 3/4" G	2	
38		Hose tail 3/4"	1	
39		Plug	1	
40		Valve body	1	
41		Washer	2	Z/B
42		Screw TCEI M6x40	2	
43		Valve	1	
45		Ring nut	1	
46		Knob	1	
47		Pin	1	
48		O-ring Ø 8.73x1.78	2	
49		Hub pin	1	
50		Pipe Ø 8	1	
51		Pipe Ø 15	1	
52		Ring nut M22x1.5	1	
53		O-ring Ø 14x1.78	4	
54		Plate	1	

Pos	Code	Discription	Qty	Note
56		Guide	1	
57		Spring	1	
58		Guide	1	
59		Knob	1	
60		Ring Circlip Ø e 12	1	290 PSI
61		Pump body	1	
62		Plug	1	
63		Semi air chamber lower	1	Buna
		Semi air chamber lower	1	Viton
		Air chamber Diaphragm	1	BlueFlex™
64		Halfball upper	1	Black
		Halfball upper	1	Red
65	800650	Air valve	1	
66	9910550040	O-ring Ø 26.65x2.62	1	
67		Screw TCEI M8x25	4	T205*
68		Knob	1	
70	800210	O-ring Ø 13.10x2.62	2	
97		Shaft marked F	1	AR 252
98		Ring seal	1	
99		Pump body	1	
104	550460	Elbow 3/4"	2	
105	800692	Flange	1	
106	880280	Screw TCEI M6x18	2	
107		Key	1	
108		Shaft marked D	1	AR 252
109		Regulating valve	1	290 PSI
110		Screw TE M8x16	2	T205*
111		Washer	2	
112		Foot	1	
113		Screw TE M6x12	4	T90*
124		Head	2	
125		Complete valve	4	
126	880830	O-ring Ø 15.54x2.62	4	

\* Torque: in-lbs +/- 10%



## GR20S & AR893S Parts List

Pos	Code	Discription	Qty	Note
1		Knob	1	
2		Ring nut	1	
3		Spring	1	
4	480441	O-ring Ø 17.13x2.62	1	Viton
5		Pin	1	
6		Shutter	1	
7	1880260	O-ring Ø 15.08x2.62	1	
8		Valve body	1	
9	391240	Pressure gauge	1	
10		Fitting	1	T90*
11		Washer	2	
13	1880491	Ball valve 3/8" G - 1/2" G M-M DX	2	red lever
14		Ring nut / HB 1/2" x 3/8"	2	
14	9910110130	Ring nut / HB 1/2" x 1/2"	2	Optional
15	740290	O-ring Ø 14x1.78	2	
16		Plug 3/8" G plastic	1	T90*
17	880830	O-ring Ø 15.54x2.62	1	
18		Hose tail Ø 16	1	
19	550450	Ring nut 3/4" G	1	
20	1140450	O-ring Ø 20.24x2.62	1	
21		Screw TCEI M8x65	2	T90*
22	450145	Flange	1	
23	550350	O-ring Ø 23.81X2.62	1	
24		Bracket	1	
25		Nut M8	2	T90*
26	9910110130	Ring nut 1/2"	1	
27	550460	Elbow Ø 18	1	
● Not part of GR 20				
* Torque: in-lbs +/- 10%				

Pos	Qty
11	2
14	2
17	1
19	1
20	1
21	2
22	1
23	1
24	1
25	2
26	1
27	1